



# A4 ALUMINIUM STEP BAR

Part No. AL4012B



**Fits: 2015-2020 FORD F150, 2017-2020 F250-550 SUPER CREW CAB**



120 mins



Cutting Not Required



Drilling Not Required



REMOVE CONTENTS FROM BOX. VERIFY ALL PARTS ARE PRESENT.



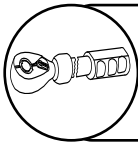
support@trailfx.com



READ INSTRUCTIONS CAREFULLY BEFORE STARTING INSTALLATION.



1- (866) 638 - 4870



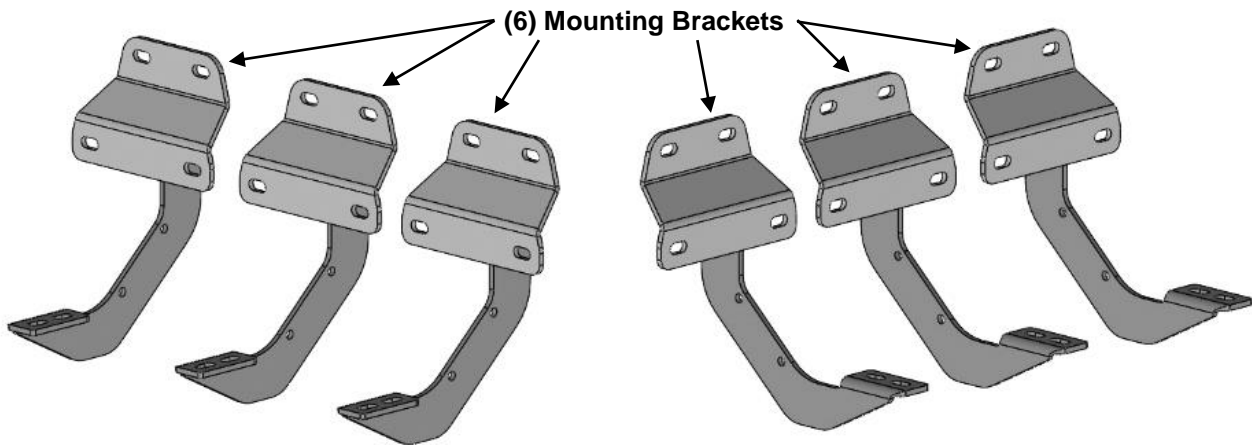
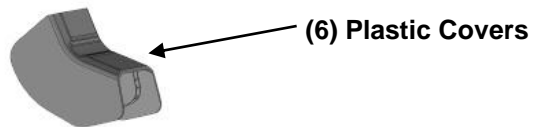
DO NOT OVER TORQUE. STANDARD OPERATING LOAD FOR TIGHTENING BODY MOUNT NUTS & BOLTS VARIES FROM 18 TO 20 FOOT POUND FOR M8 HARDWARE.



POWDER COATED BLACK - LIMITED LIFETIME

### PARTS LIST:

| Qty   | Part Description                       | Qty | Part Description                 |
|---|--|-----|----------------------------------|
| 2   | A4 Step Bar                            | 30  | 8mm x 24mm OD x 2mm Flat Washers |
| 6   | Mounting Brackets                      | 12  | 8mm Lock Washers                 |
| 6   | Plastic Covers                         | 12  | 8mm Hex Nuts                     |
| 12  | Plastic Clips                          | 18  | 8mm Nylon Lock Nuts              |
| 12  | 8mm x 20mm T-Bolts                     | 18  | 8mm Plastic Washers              |
| <b>REPLACEMENT PARTS LIST (NOT INCLUDED IN BOX)</b> |  |     |                                  |
| 1   | Step Pad Pack (Includes clips) - G9029 | 1   | End Caps Pack - G9030            |
| 1   | Bracket Cover Pack - G9031             |     |                                  |



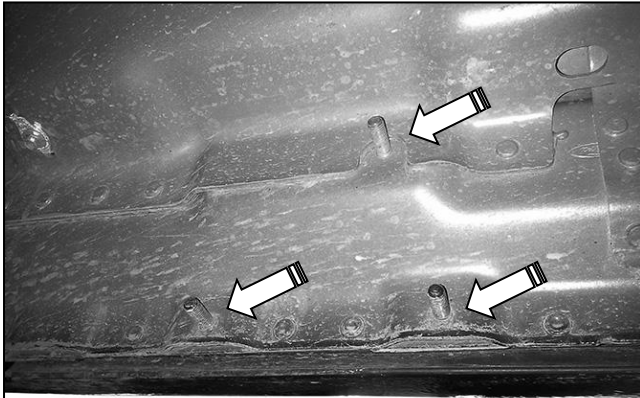
### PROCEDURE:

REMOVE CONTENTS FROM BOX. VERIFY ALL PARTS ARE PRESENT. READ INSTRUCTIONS CAREFULLY. ASSISTANCE IS RECOMMENDED.

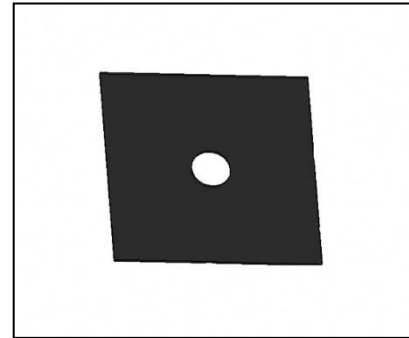
1. Start the installation under the Passenger/Right side of the vehicle. Locate the front factory running board mounting location along the inner side of the body, **(Figure 1)**. Use a wire brush or thread chaser die to remove excess paint and/or undercoating from all studs.
2. Slide (1) Plastic Washer over each of the (3) factory mounting studs in the body panel, **(Figures 2—4)**. **IMPORTANT:** The Plastic Washers are designed to prevent corrosion between the aluminum body panel and the steel mounting brackets. **Do not install the Brackets without the Plastic Washers.**
3. Select (1) Bracket, **(Figure 4)**. **NOTE:** The Brackets are universal and can be installed in all locations. Attach the Bracket to the studs with (3) 8mm Flat Washers and (6) 8mm Nylon Lock Nuts, **(Figure 4)**. Do not tighten hardware at this time.
4. Select (1) Plastic Cover. Attach the Cover to the Mounting Bracket with (2) Plastic Clips, **(Figure 5)**.
5. Repeat **Steps 3 & 4** to attach (2) Mounting Brackets to the center and rear locations.
6. Select (1) A4 Step Bar. Insert (6) T-Bolts into the channels in the bottom of the Sidebar, (3) per channel, **(Figure 6)**. Attach the Sidebar to the Mounting Brackets with (6) 8mm Flat Washers, (6) 8mm Lock Washers and (6) 8mm Hex Nuts, **(Figure 7)**.
7. Level and adjust the Sidebar and tighten all hardware.
8. Repeat **Steps 1—7** to attach (1) Sidebar to the Driver/Left side.
9. Do periodic inspections to the installation to make sure that all hardware is secure and tight.

**To protect your investment,** Do not use any type of polish or wax that may contain abrasives that could damage the finish. Use only mild soap to clean the Sidebar.

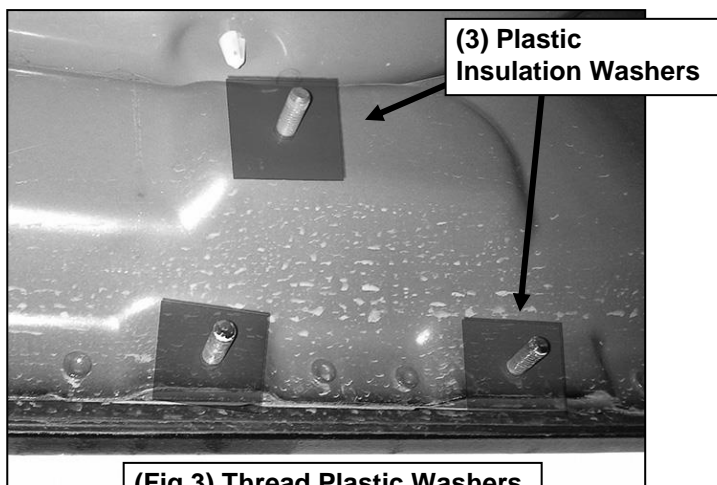
### Passenger/right Side Installation Pictured



**(Fig 1)** Example of typical mounting location

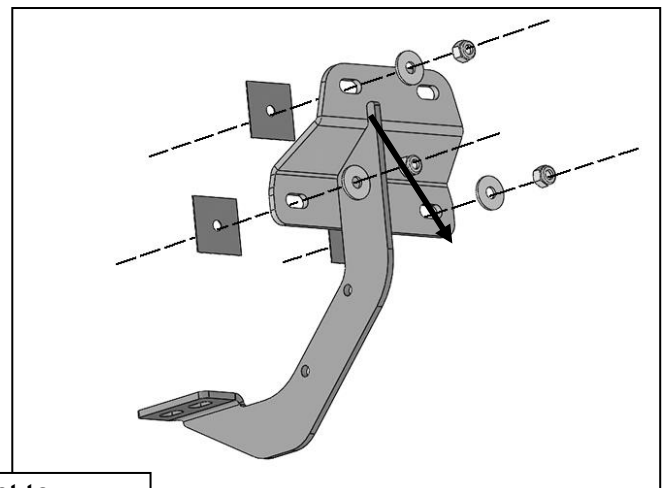


**(Fig 2)** Plastic Insulation Washer



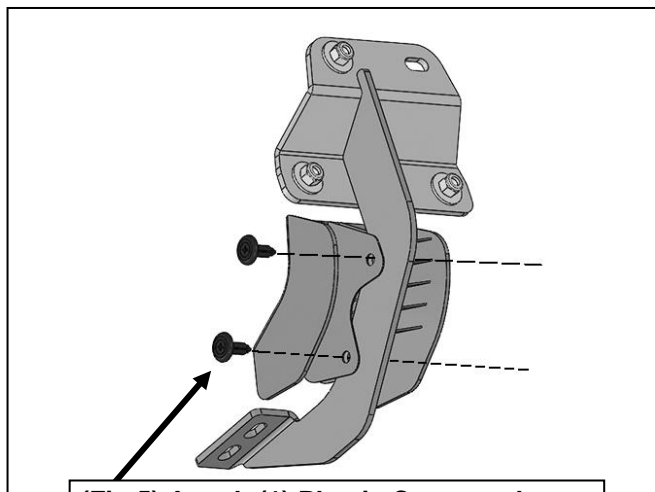
**(Fig 3)** Thread Plastic Washers onto all mounting studs

**(3) 8mm Plastic Washers**  
**(3) 8mm Flat Washers**  
**(3) 8mm Nylon Lock Nuts**

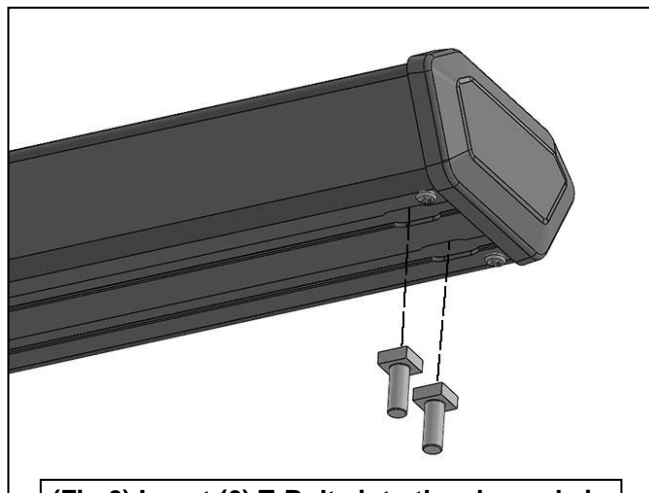


**(Fig 4)** Attach Bracket to mounting studs

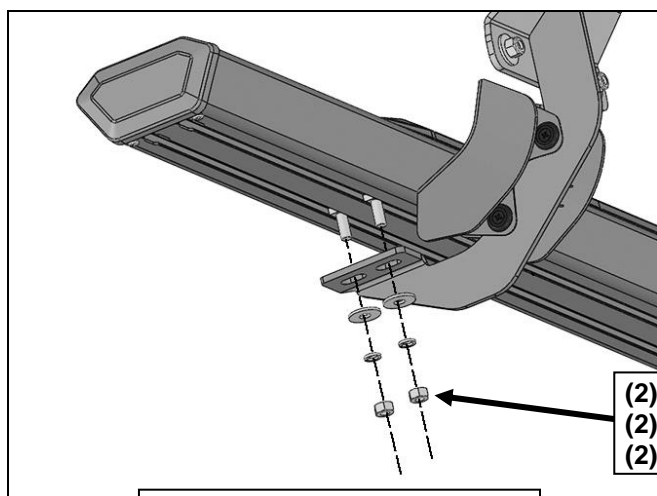
### Passenger/right Side Installation Pictured



**(Fig 5) Attach (1) Plastic Cover to the Mounting Bracket with (2) Plastic Clips**



**(Fig 6) Insert (6) T-Bolts into the channels in the bottom of the Sidebar, (3) per channel**



- (2) 8mm Flat Washers
- (2) 8mm Lock Washers
- (2) 8mm Hex Nuts

**(Fig 7) Attach (1) A4 Step Bar to the Mounting Brackets**

**PRODUCT CARE**

- Periodically check the product to ensure all fasteners are tight and components are intact.
- For cleaning, use mild soap and warm water with a soft cloth or brush to prevent scratching.

**FAQ's****1. Hardware and mounting brackets are not aligning properly**

*Ensure that hardware is being used on the correct side of the vehicle. In some cases, the hardware may appear same for driver or passenger side but may alter the alignment of mounting location. Check mounting brackets for both sides.*

**2. Step Bar is not aligning with vehicle / doors**

*Step bars may be interchanged or reversed (Driver / Passenger Side). Check step bar for each side as well ensure the proper hardware has been used for each side.*

**3. Products are thumping / rattling after installation.**

*Ensure that all required mounting brackets / hardware's are installed & tighten correctly. Suggest using white lithium / regular grease between metal to metal contact.*

**4. Missing / Excess Hardware.**

*Recheck hardware count as per the part list.*

**5. Product not installing properly.**

*Ensure the Year / Make / Model as well as cab and bed dimensions are correct for the application. Review all steps for installation to ensure they were followed correctly.*

**6. Who should be contacted for questions regarding product / installation assistance?**

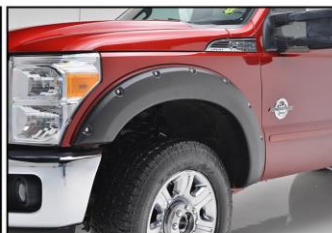
*www.trailfx.com / support@trailfx.com 1-(866) 638-4870*

Check out these other TrailFX Products!

www.trailfx.com



HOOD PROTECTOR



FENDER FLARES



TONNEAU COVER



BED LINERS

*Keystone Automotive Operations Inc. (KAO) warrants this product to be free of defects in material and workmanship at the time of purchase by the original retail consumer. KAO disclaims any other warranties, express or implied, including the warranty of fitness for a particular purpose or an intended use. If the product is found to be defective, KAO may replace or repair the product at our option, when the product is returned prepaid, with proof of purchase. Alteration to, improper installation, or misuse of this product voids the warranty. KAO's liability is limited to repair or replacement of products found to be defective, and specifically excludes liability for any incidental or consequential loss or damage.*